

Flat Bench with Splashback & Undershef



Stainless steel benches Produced by **Global Food Machinery** are perfect for use in commercial kitchens. They are made from **Quality Stainless Steel grade 304**, which provide **corrosion-resistant** work surface ideal for food preparation. Benches are made in Mordialloc in Australia with accordance to Australian standards and regulations.

All Flat Benches have a functional **Undershef** for extra storage and 100mm **Splashback** with a bevelled edge

Features:

- Heavy duty & long-wearing
- Corrosion resistant
- Durable construction
- Easy to clean
- Stable and well welded
- Safe for use with food
- Practical design



Specification	
Benchtops	45 mm high made from 1.2 mm thick 304 grade stainless steel No. 4 finish
Splashbacks	100 mm high made from 1.2 mm thick 304 grade stainless steel No. 4 finish
Undershelves	30 mm high made from 1.2 mm thick 304 grade stainless steel No. 4 finish
Legs	32 mm square stainless steel tube - 3mm thick, polished, Adjustable stainless steel feet
Core	1.2 mm thick galvanised steel & timber


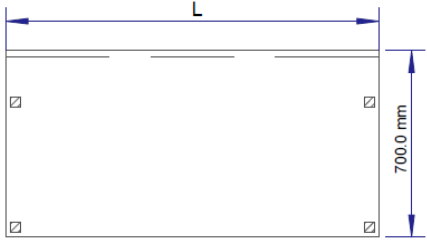
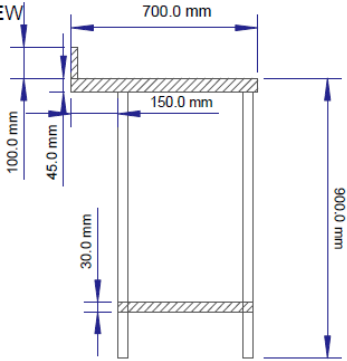
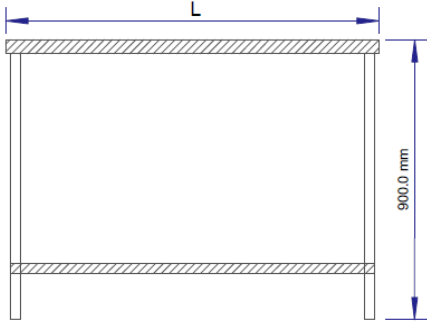



Series 600

	<p>TOP VIEW</p>	
<p>SIDE VIEW</p>	<p>FRONT VIEW</p>	
<p>GLOBAL FOOD MACHINERY</p>		<p>SERIES 600</p>
<p>FLAT Bench with Splashback & Undershaft</p>		

Flat Bench with Splashback & Undershaft						Series 600	
ID	Dimensions					Price (excl GST)	
	Length (L)		Deep (D)		High (H)		
00-6-600	600	mm	600	mm	900	mm	\$520.00
00-6-900	900	mm	600	mm	900	mm	\$610.00
00-6-1200	1200	mm	600	mm	900	mm	\$752.00
00-6-1500	1500	mm	600	mm	900	mm	\$868.00
00-6-1800	1800	mm	600	mm	900	mm	\$1,067.00
00-6-2100	2100	mm	600	mm	900	mm	\$1,120.00
00-6-2400	2400	mm	600	mm	900	mm	\$1,290.00

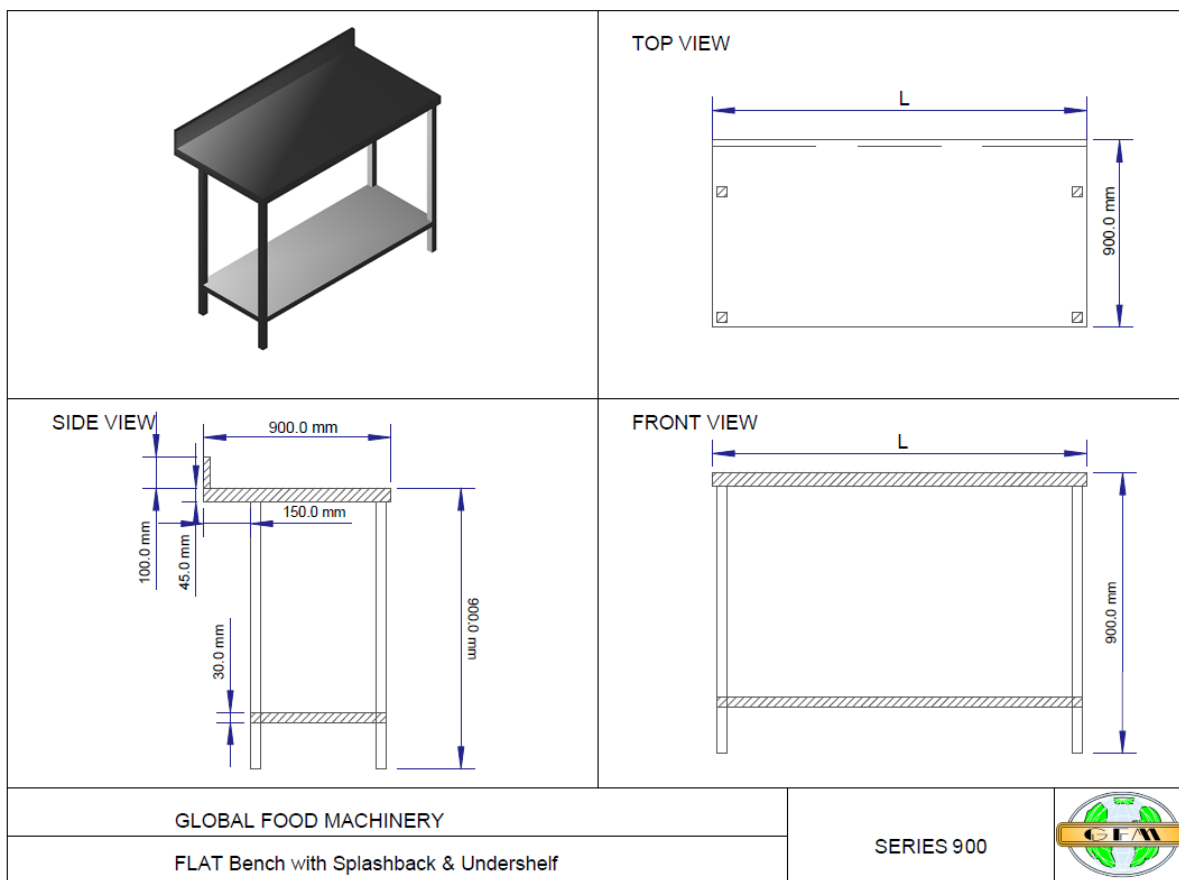
Series 700

	<p>TOP VIEW</p> 
<p>SIDE VIEW</p> 	<p>FRONT VIEW</p> 
<p>GLOBAL FOOD MACHINERY</p> <p>FLAT Bench with Splashback & Undershaft</p>	<p>SERIES 700</p> 

Flat Bench with Splashback & Undershaft						Series 700	
ID	Dimensions					Price (excl GST)	
	Length (L)		Deep (D)		High (H)		
00-7-600	600	mm	700	mm	900	mm	\$570.00
00-7-900	900	mm	700	mm	900	mm	\$697.00
00-7-1200	1200	mm	700	mm	900	mm	\$780.00
00-7-1500	1500	mm	700	mm	900	mm	\$892.00
00-7-1800	1800	mm	700	mm	900	mm	\$1,109.00
00-7-2100	2100	mm	700	mm	900	mm	\$1,169.00
00-7-2400	2400	mm	700	mm	900	mm	\$1,305.00



Series 900



Flat Bench with Splashback & Undershef					Series 900
ID	Dimensions			Price (excl GST)	
	Length (L)	Deep (D)	High (H)		
00-9-600	600 mm	900 mm	900 mm	\$606.00	
00-9-900	900 mm	900 mm	900 mm	\$724.00	
00-9-1200	1200 mm	900 mm	900 mm	\$848.00	
00-9-1500	1500 mm	900 mm	900 mm	\$976.00	
00-9-1800	1800 mm	900 mm	900 mm	\$1,151.00	
00-9-2100	2100 mm	900 mm	900 mm	\$1,211.00	
00-9-2400	2400 mm	900 mm	900 mm	\$1,394.00	